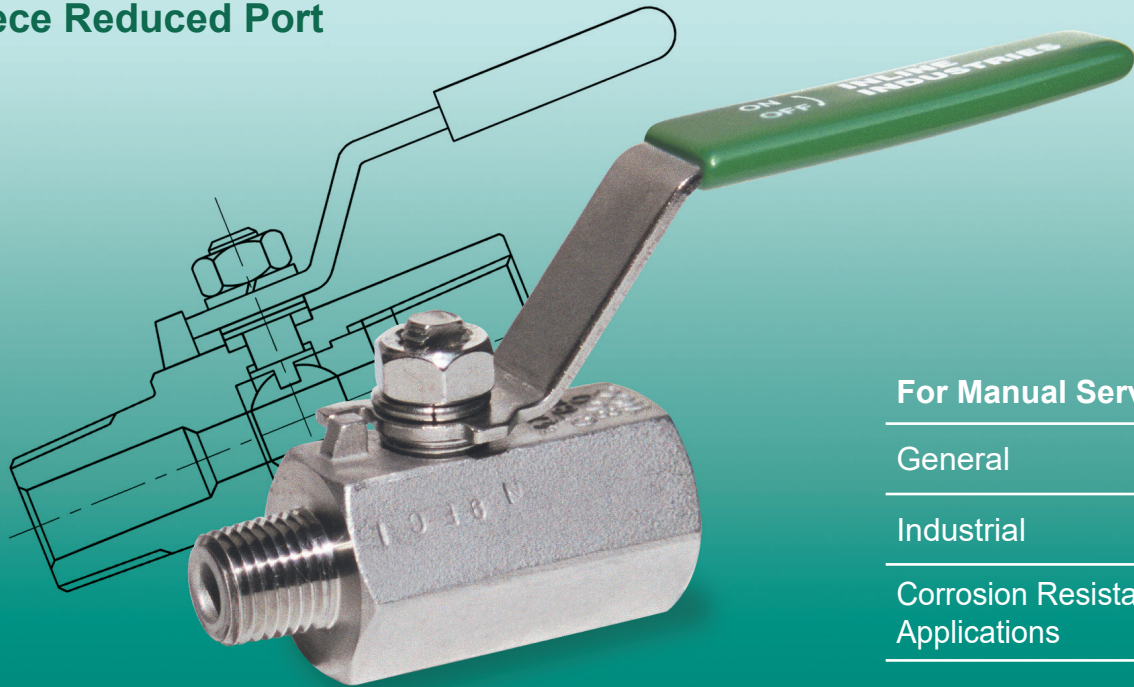


# 104R Ball Valve

## 1-Piece Reduced Port



For Manual Service

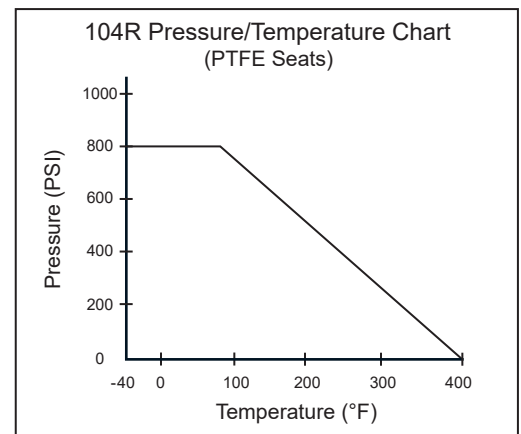
General

Industrial

Corrosion Resistant Applications

## Standard Features and Benefits

- **Economical 1-Piece Design**
- **Male x Female Connections**  
Eliminates the need for pipe nipples, thereby decreasing the number of potential leak paths and reducing overall length
- **Blow-Out-Proof Stem**
- **Made of Corrosion-Resistant 316 SS (A351 Gr. CF8M)**  
One valve can be used for many service conditions
- **Investment Cast**  
High quality investment castings improve dimensional control and reduce porosity



## Options

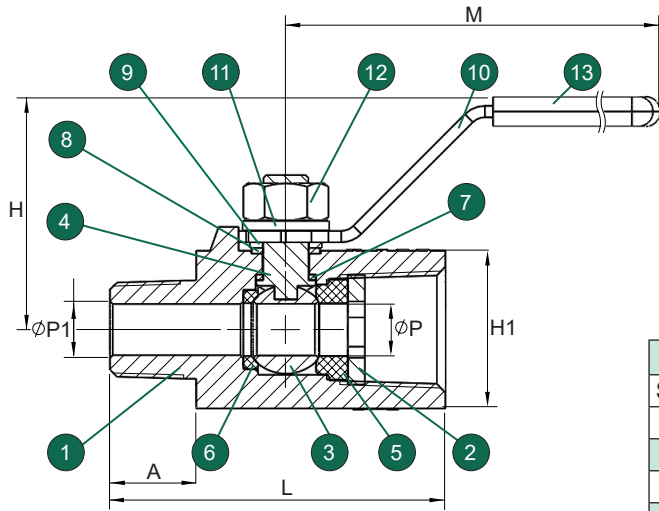
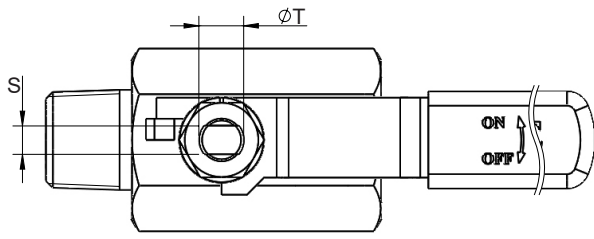
- **Material Test Reports Available Upon Request**

## Operating Conditions

- **Temperature Range (PTFE):**  
-40°F ~ 400°F
- **Maximum Pressure (PTFE):**  
800 PSI CWP

## Specifications

- All valves designed and pressure tested in accordance with ASME B16.34, API 598 and MSS-SP-110
- All materials comply with applicable ASTM material specifications
- NSF/ANSI/CAN 61 & 372 Certified



Valve Components			
No.	Part Name	Material	Qty
1	Body	A351 CF8M	1
2	Body Insert	316 SS	1
3	Ball	316 SS	1
4	Stem	316 SS	1
5	Seat (Large)	PTFE	1
6	Seat (Small)	PTFE	1
7	Thrust Washer	RTFE (15% C.F.)	1
8	Stem Packing	PTFE	1
9	Packing Gland	304 SS	1
10	Handle	304 SS	1
11	Split Lock Washer	304 SS	1
12	Handle Nut	304 SS	1
13	Handle Cover	Vinyl	1

Size C1 x C2	Dimensions (Inches)									Cv	Weight (lbs)
	L	P	P1	M	H	H1	A	S	T		
1/4" x 1/4"	1.84	0.20	0.28	3.1	1.4	0.8	0.51	0.12	0.19	1.4	0.2
1/4" x 3/8"	2.03	0.27	0.28	3.1	1.5	0.9	0.51	0.16	0.23	-	0.3
1/4" x 1/2"	2.24	0.36	0.28	4.0	1.6	1.1	0.51	0.20	0.31	-	0.5
3/8" x 3/8"	2.12	0.27	0.35	3.1	1.5	0.9	0.60	0.16	0.23	3.2	0.3
3/8" x 1/2"	2.33	0.36	0.35	4.0	1.6	1.1	0.60	0.20	0.31	-	0.5
1/2" x 1/2"	2.43	0.36	0.44	4.0	1.6	1.1	0.70	0.20	0.31	6.0	0.6

## 104R Ordering Information

Example: 1/4" MNPT x 1/4" FNPT Ball Valve with Lever Handle, 316 SS Body and Trim, PTFE Seats, NPT Ends

Valve Series	Valve Size (C1 x C2)	Body Material	End Material	Ball Material	Stem Material	Seat (Large)	Seat (Small)	End Connection	Port Config	Ball Configuration
104R - Reduced Port	T U V W X Y	6 - A351 Gr. CF8M (316)	6 - A351 Gr. CF8M (316)	6 - 316 SS	6 - 316 SS	T - PTFE	T - PTFE	MT - MNPT x FNPT	2 - 2 Way	S - Straight Port

Due to continuous product development, information may change without notice.



INLINE INDUSTRIES, INC.

9056 Garvey Avenue  
 Rosemead, CA 91770  
 Tel: (800) 568-8998  
 (626) 813-6188  
 Fax: (626) 813-6186  
 www.ballvalve.com  
 info@ballvalve.com

Distributed by: